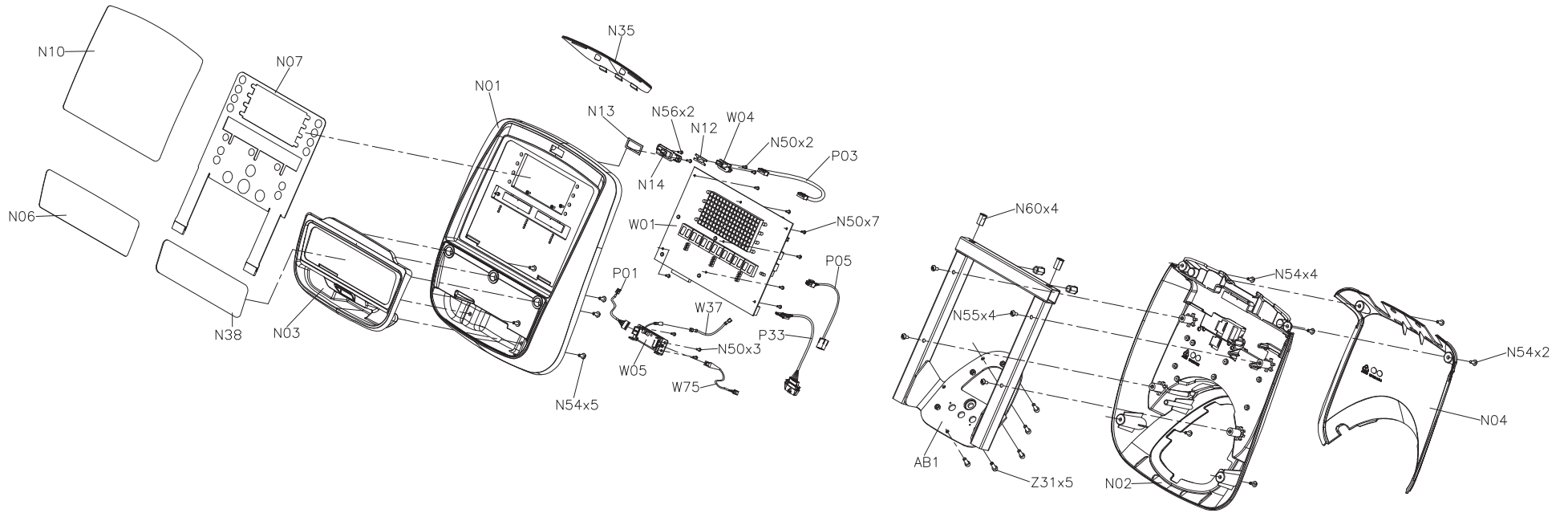
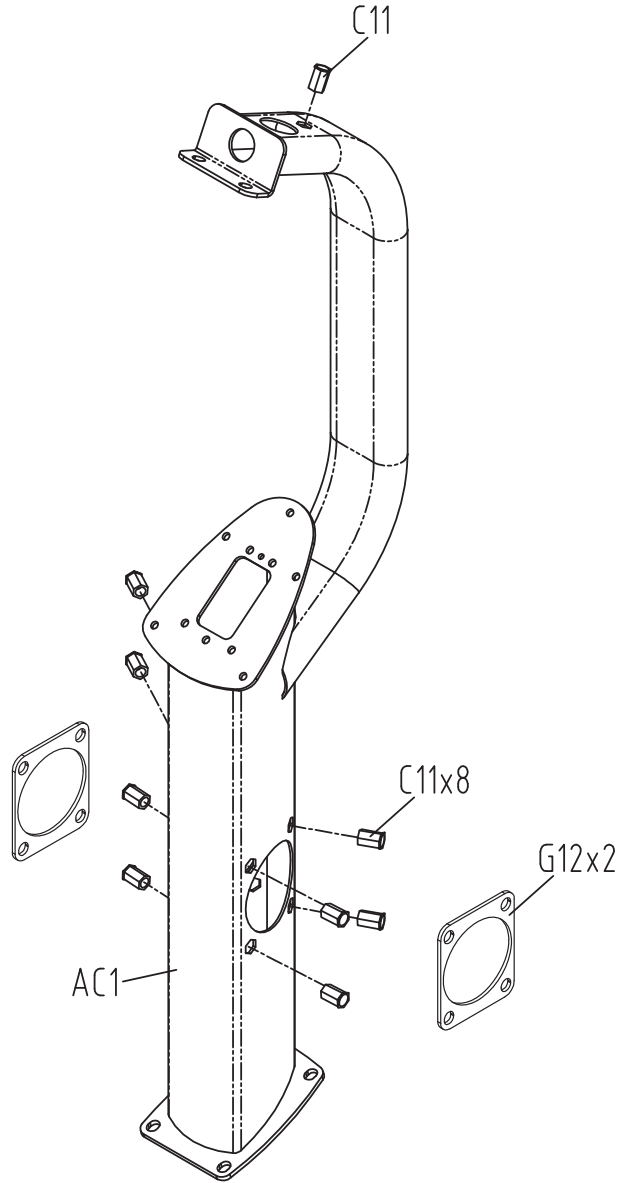


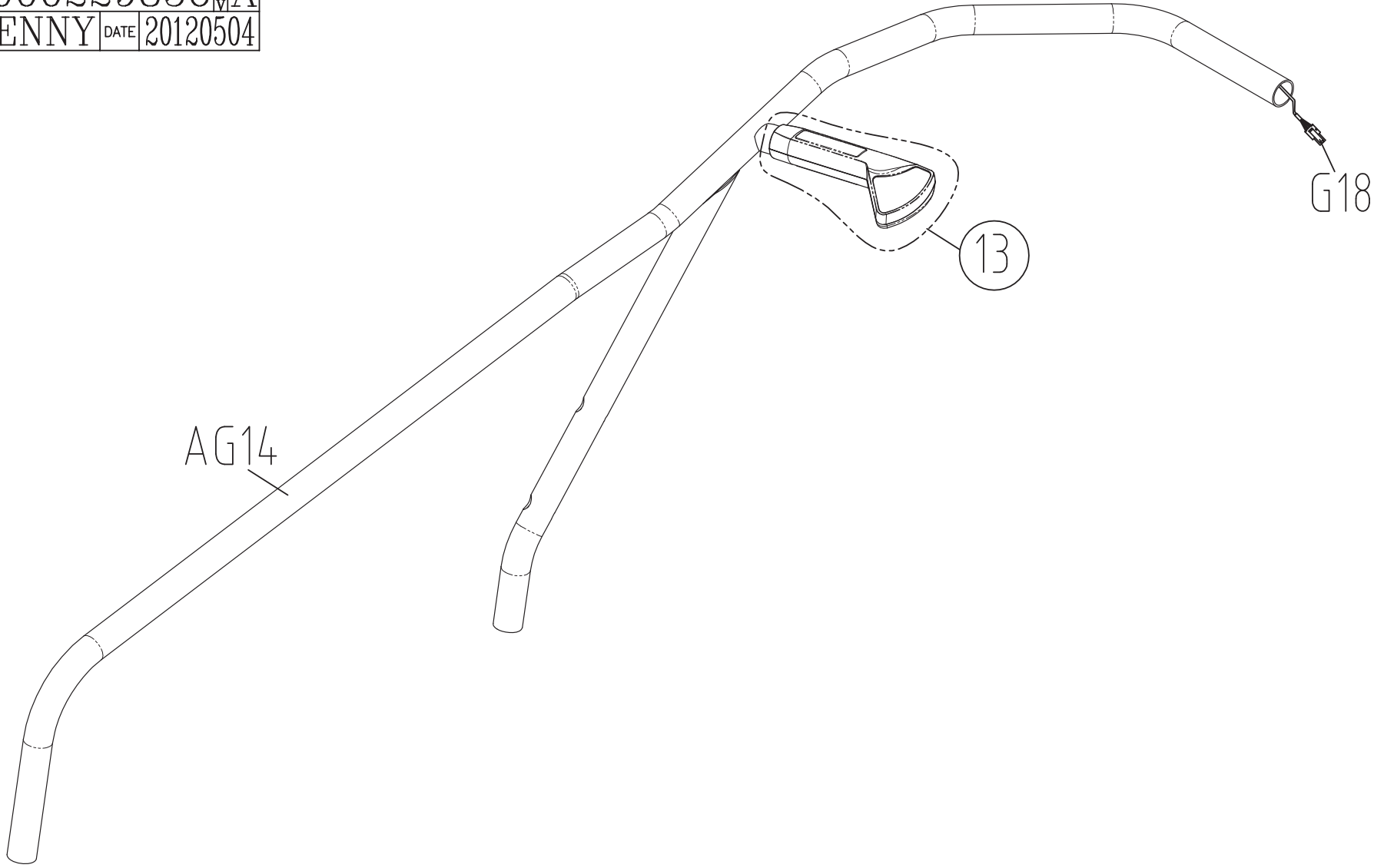
DRAWING NO	CS20-AN11		
PART NAME	CONSOLE SET		
PART NO	1000227265/A		
APPROVE	GINGO	DATE	120711



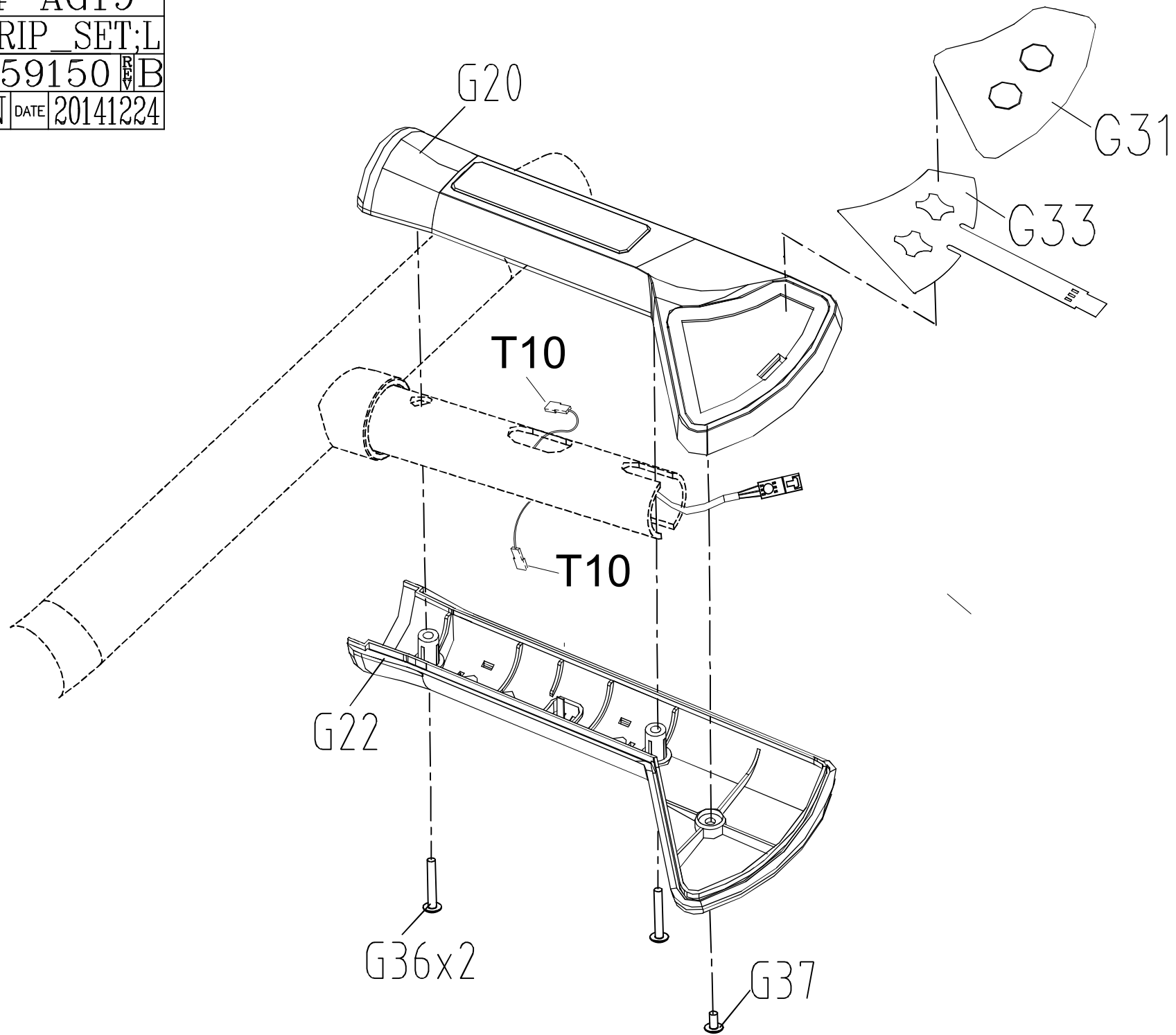
DRAWING NO	CS17-AC11		
PART NAME	CONSOLE_MAST_SET;SA		
PART NO	1000209252	REV	C
APPROVE	HERMES	DATE	20110721



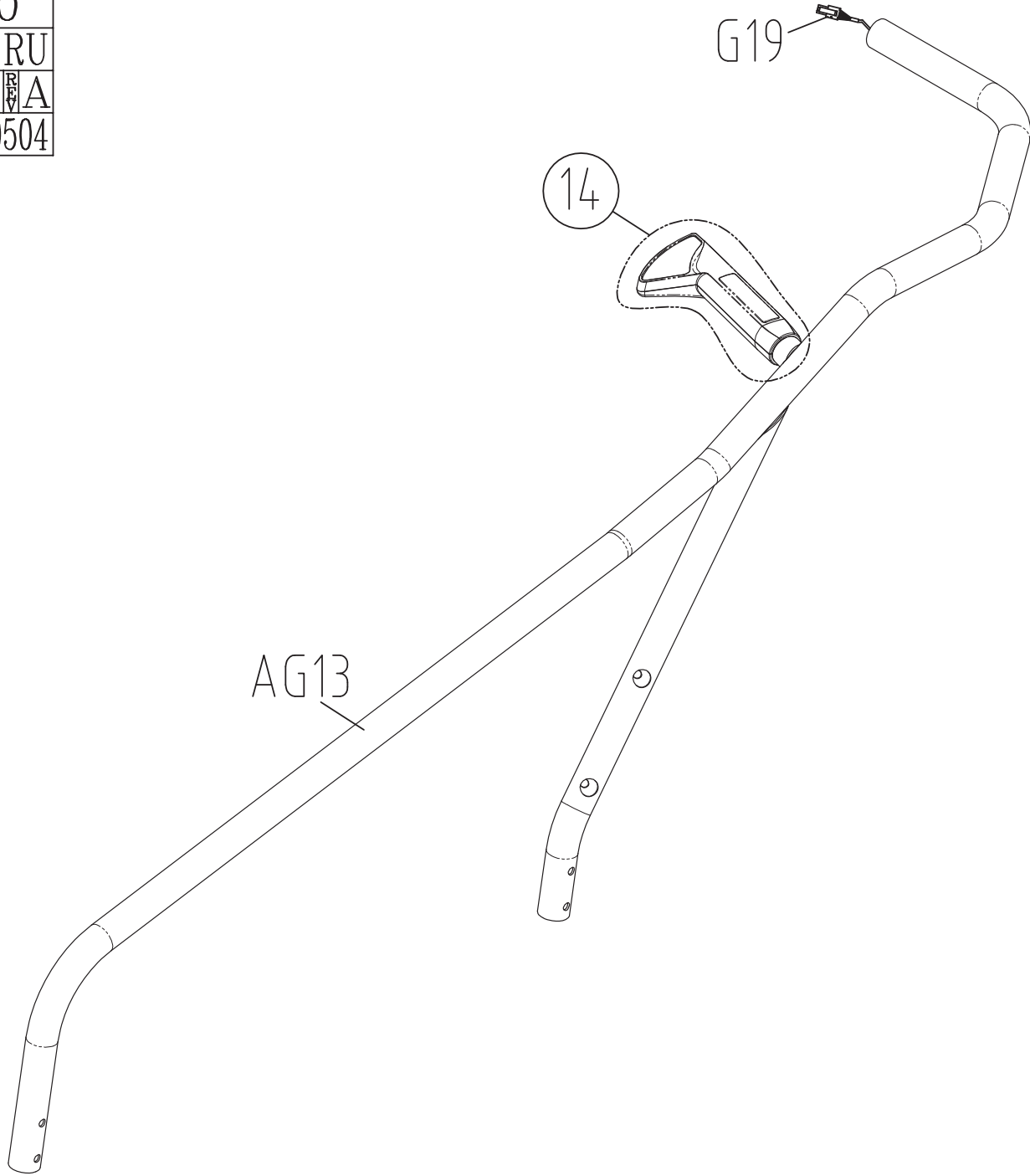
DRAWING NO	CS21-AG18		
PART NAME	ARM REST SET;LU		
PART NO	1000229856	REV	A
APPROVE	KENNY	DATE	20120504



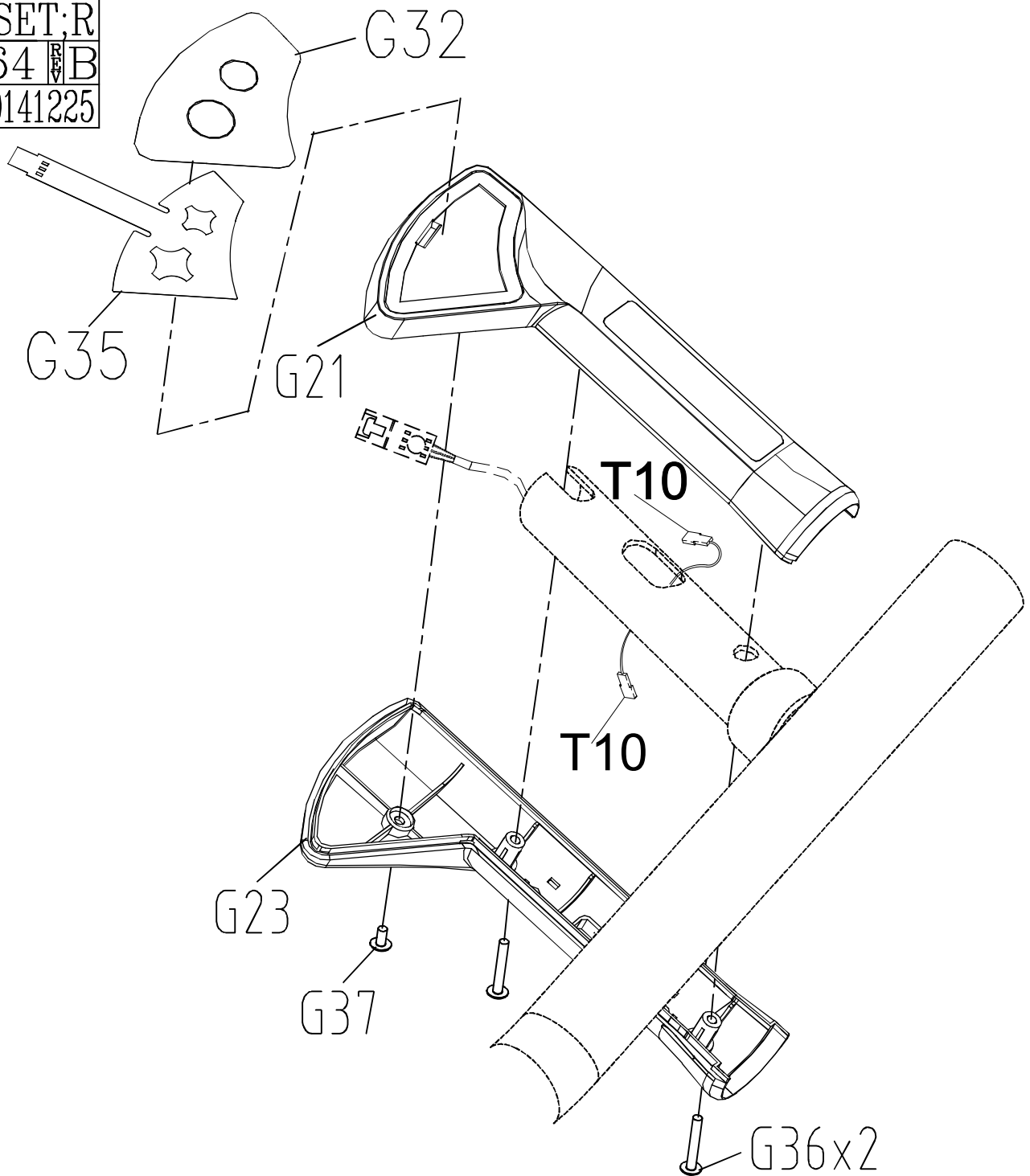
DRAWING NO	CS24-AG19		
PART NAME	HANDGRIP_SET;L		
PART NO	1000359150 B		
APPROVE	EASON	DATE	20141224



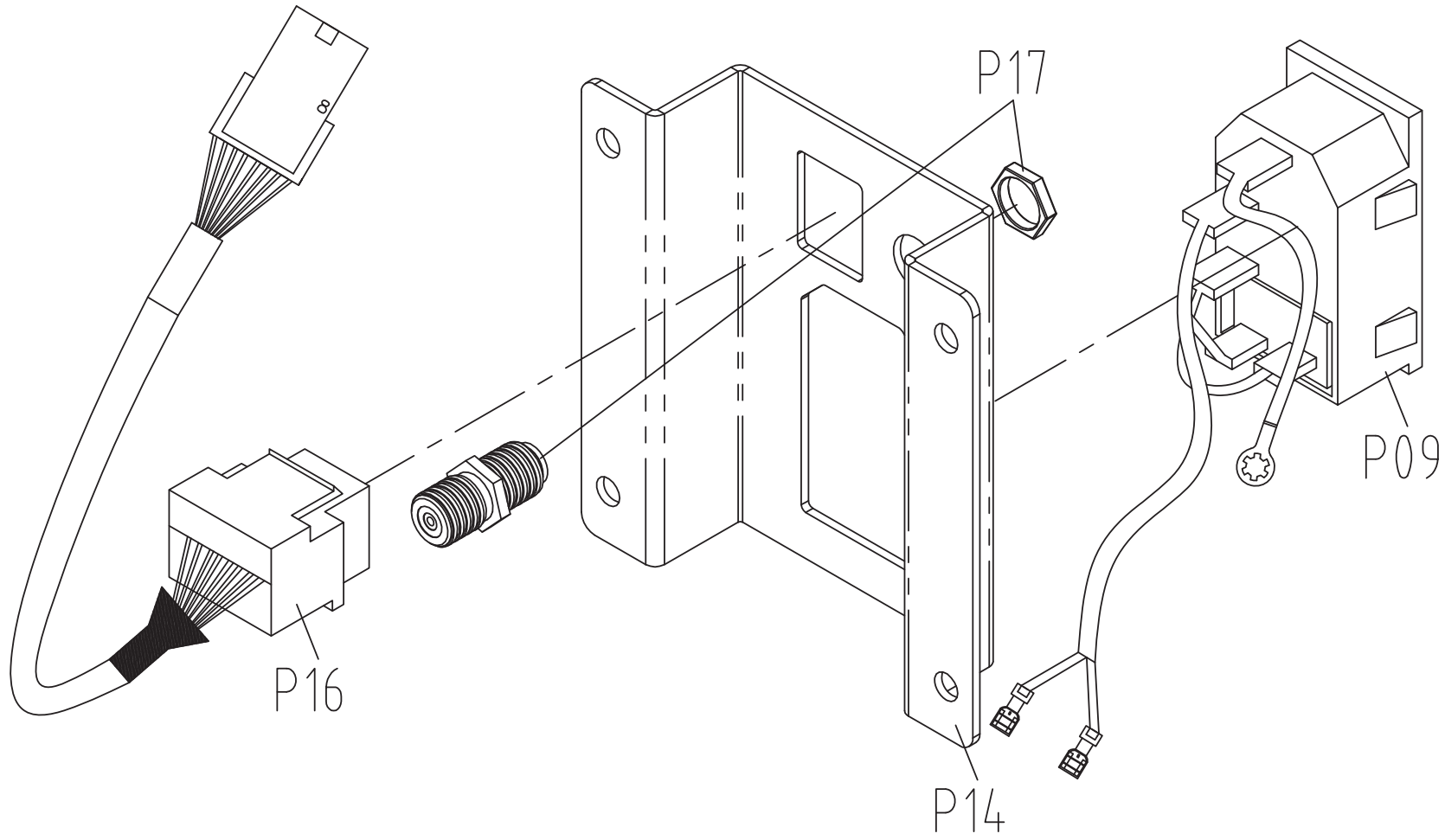
DRAWING NO	CS21-AG20		
PART NAME	ARM REST SET;RU		
PART NO	1000229941R/A		
APPROVE	KENNY	DATE	20120504



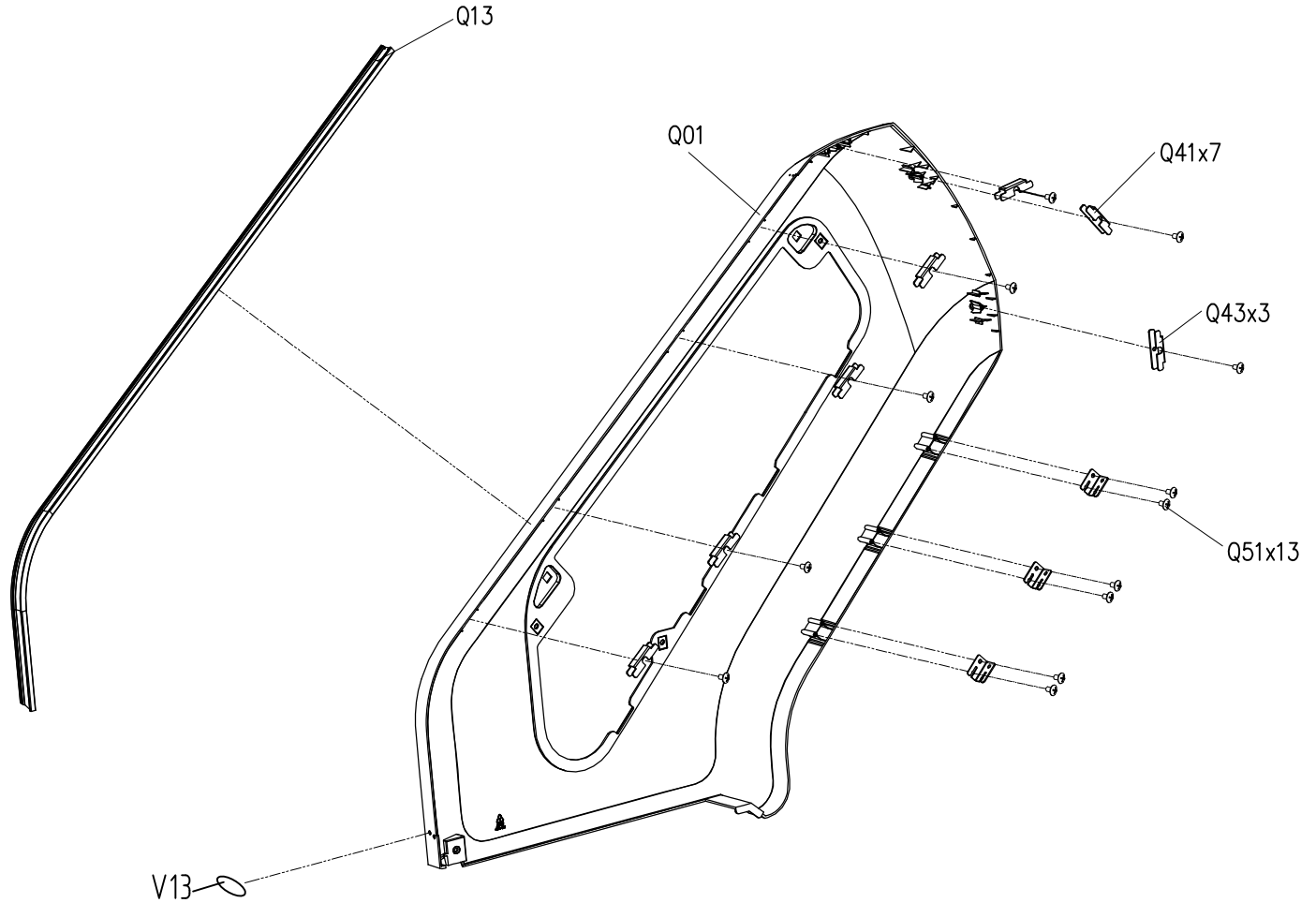
DRAWING NO	CS24-AG21		
PART NAME	HANDGRIP_SET;R		
PART NO	1000359164		B
APPROVE	EASON	DATE	20141225



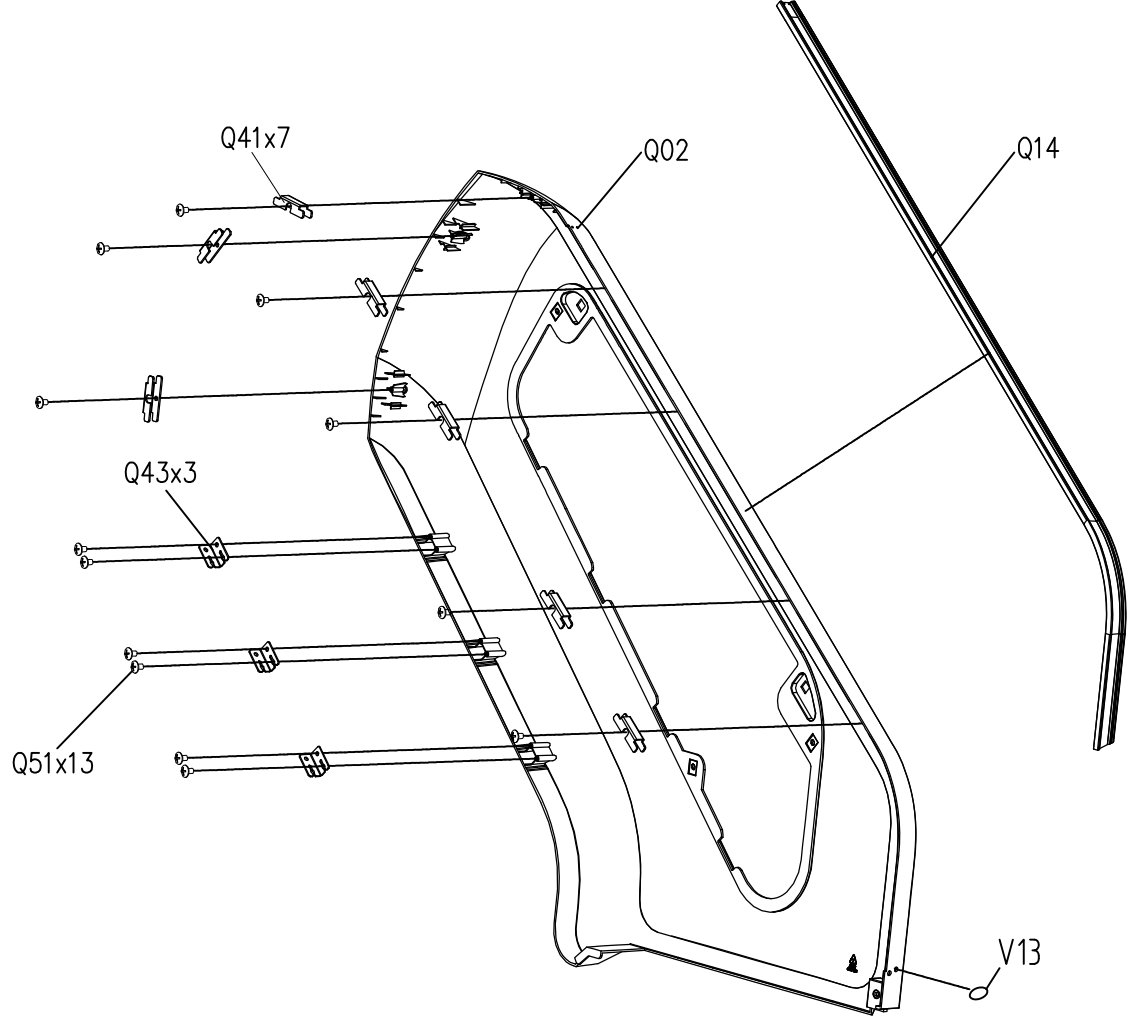
DRAWING NO	CS17-AP15		
PART NAME	E-PORT_FIX_PLATE_SET		
PART NO	1000203645	REV	C
APPROVE	HERMES	DATE	20110419



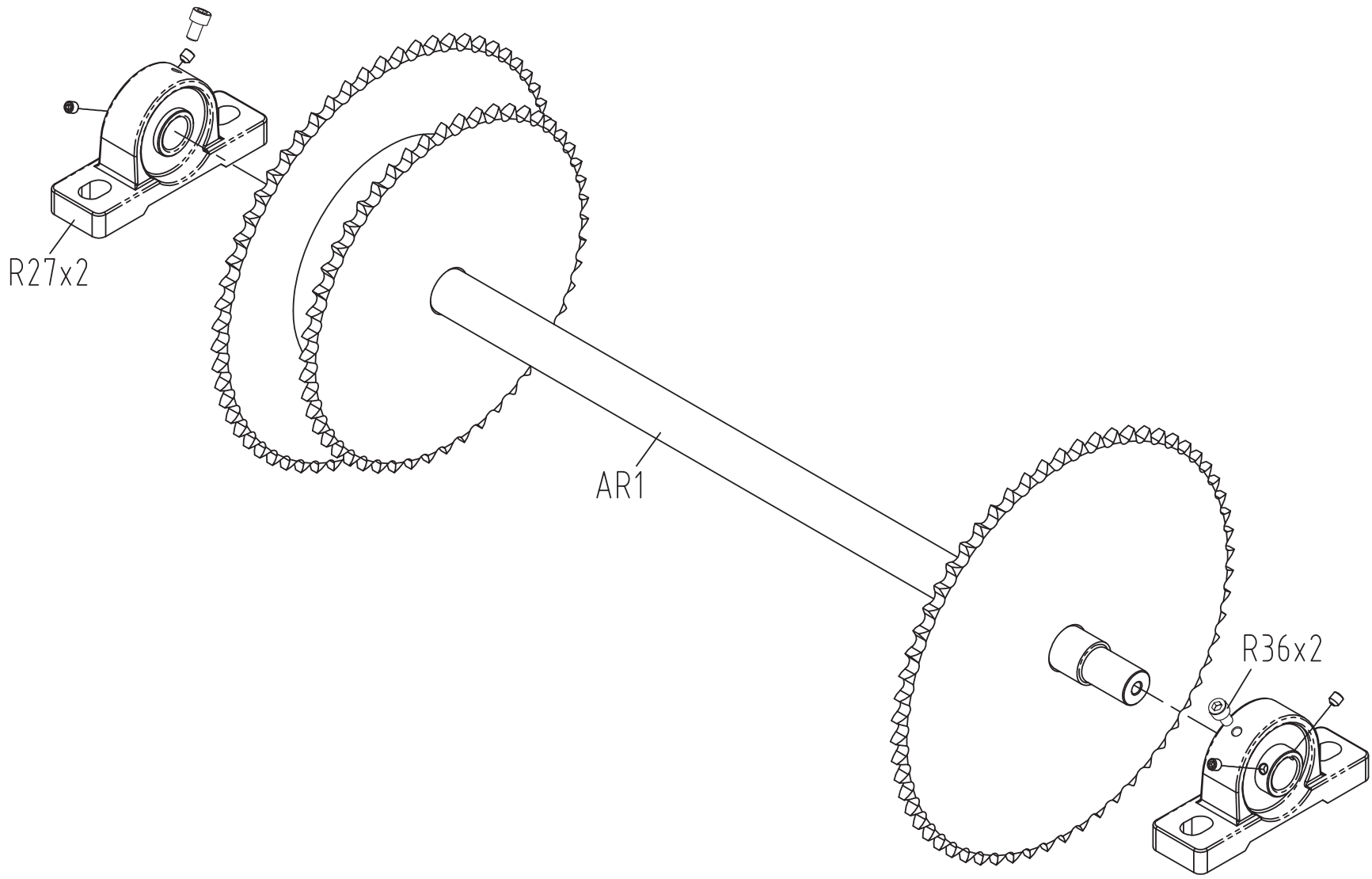
DRAWING NO	CS21-AQ11		
PART NAME	SIDE_COVER_SET;L		
PART NO	1000229943	REV	B
APPROVE	Kenny	DATE	20130423



DRAWING NO	CS21-AQ12		
PART NAME	SIDE_COVER_SET;R		
PART NO	1000229944		
APPROVE	KENNY	DATE	20130423



DRAWING NO	CS17-AR6		
PART NAME	SPROCKET_SET;FRONT		
PART NO	1000212922		C
APPROVE	HERMES	DATE	2011117

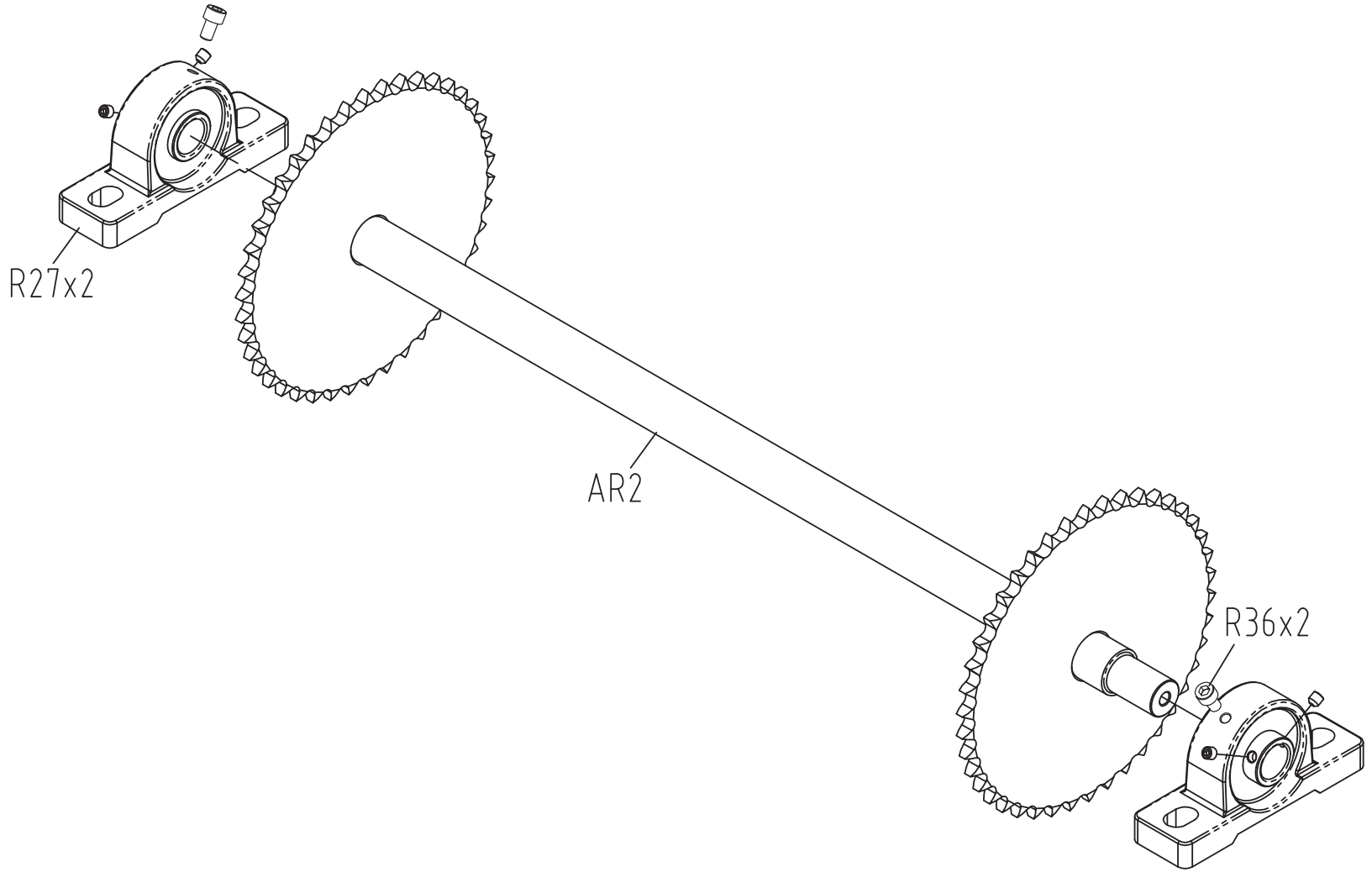


R27x2

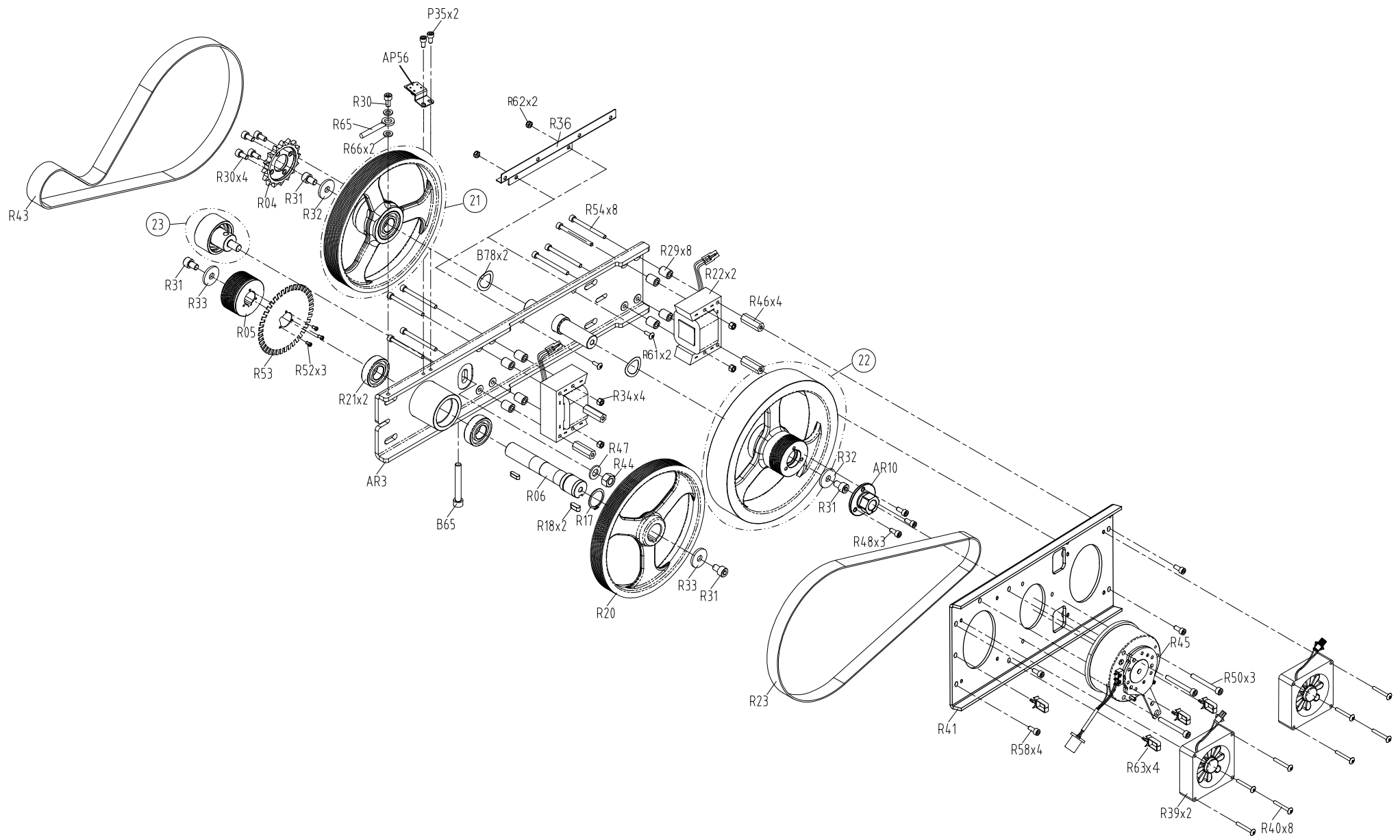
AR1


R36x2

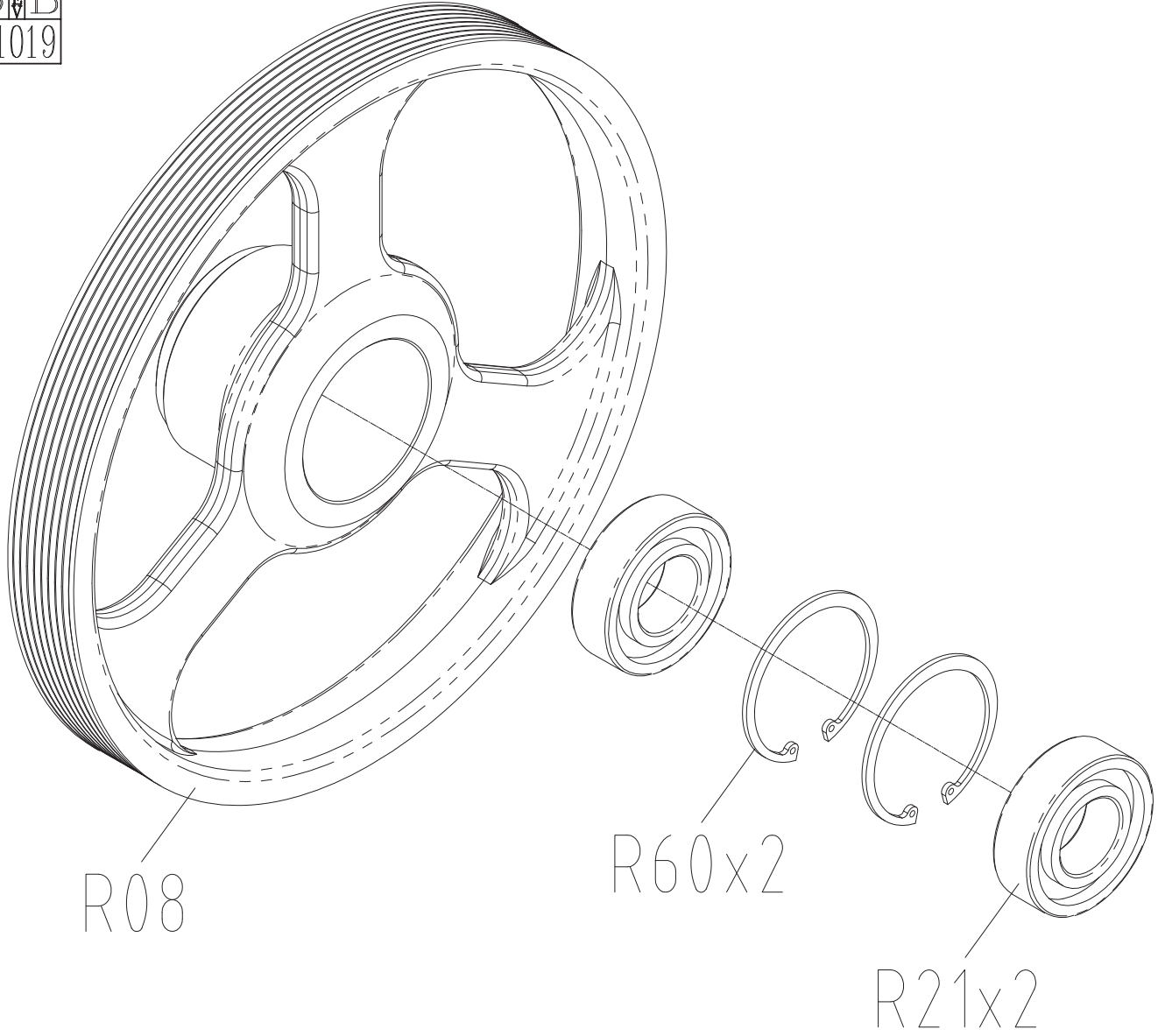
DRAWING NO	CS17-AR7		
PART NAME	SPROCKET_SET;REAR		
PART NO	1000212923	REV	C
APPROVE	HERMES	DATE	2011117



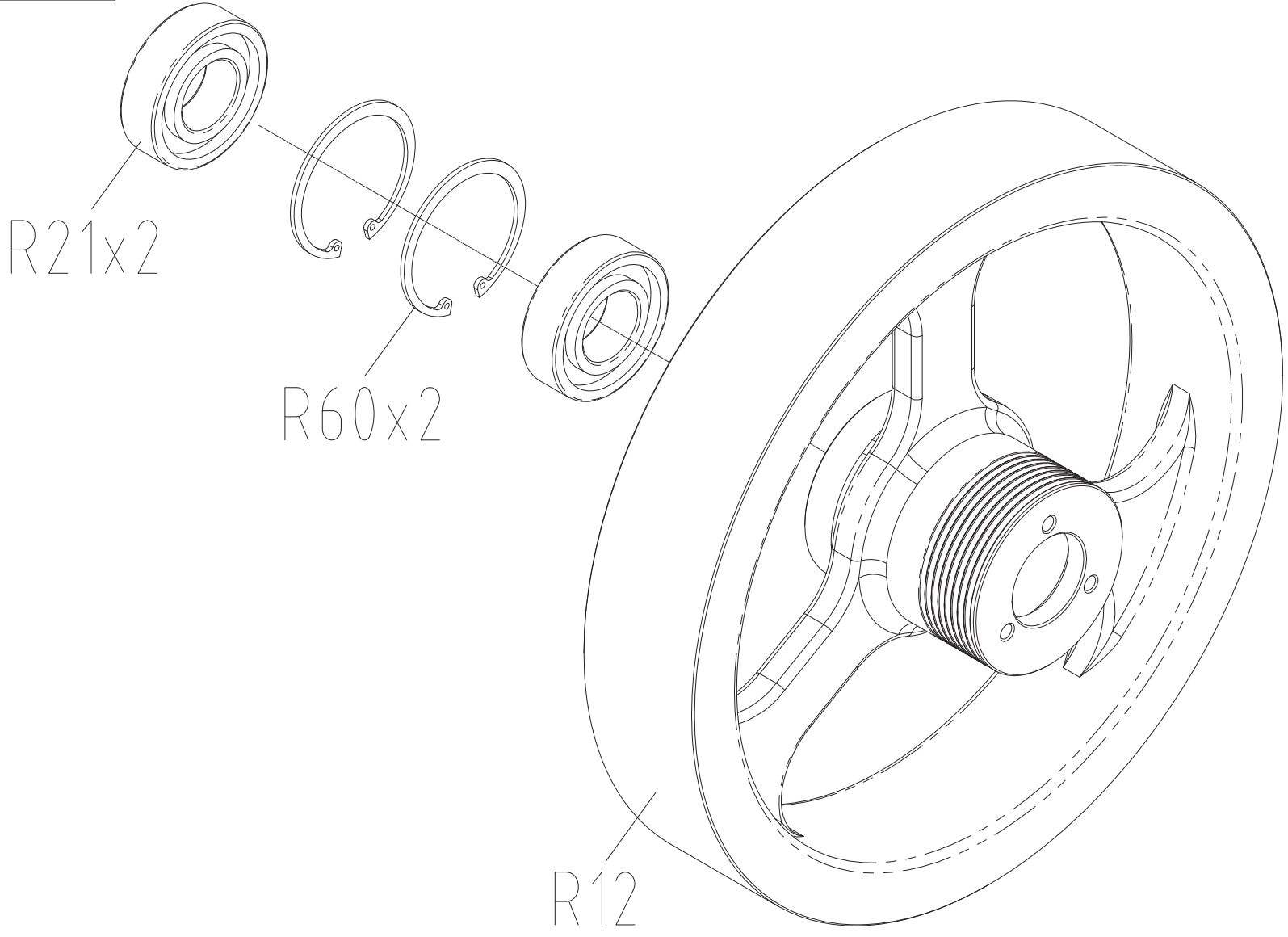
DRAWING NO	CS17-AR11
PART NAME	DRIVE SET
PART NO	1000209259U
APPROVE	Ming
DATE	20170327



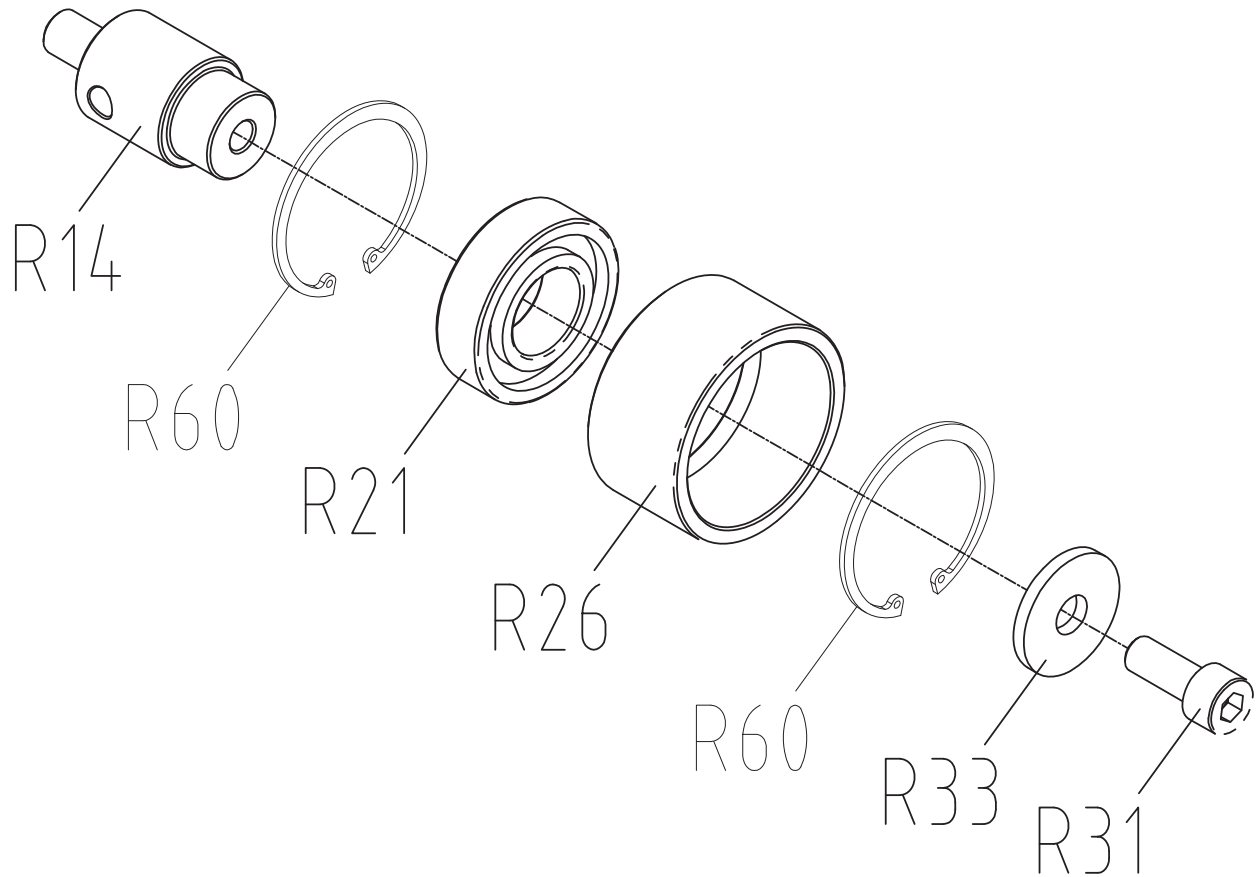
DRAWING NO	CS17-AR4		
PART NAME	PULLEY SET		
PART NO	1000212516		B
APPROVE	JOHNNY	DATE	20111019



DRAWING NO	CS17-AR5		
PART NAME	FLYWHEEL_SET		
PART NO	1000211384		B
APPROVE	JOHNNY	DATE	20111019



DRAWING NO	CS17-AR9		
PART NAME	IDLER_SET		
PART NO	1000217719	REV	B
APPROVE	JOHNNY	DATE	20111020



Bubble #	OEM Number	Part Description
2	1000209252	Console Mast Set;SA;;CS17;;;
3	1000359148	Arm Rest set;;left up;;CS24;
3	1000229856	Arm Rest set;-;left up;CS21
4	1000359163	Arm Rest set;;right up;;CS24;
5	1000203645	E-Port Fix Plate Set;US;CS17
7	1000229943	shield set;-;left;CS21
8	1000229944	shield set;-;right;CS21
10	1000212922	SPROKET SET;FRONT;CS17;
11	1000212923	SPROKET SET;REAR;CS17;
12	1000209259	Drive Axle Set;SA;;CS17;;;
13	1000366087	Hand Grip Set;Quickly Key;Right/Left;;CS
13	1000359150	Hand Grip Set;Quickly Key;left;;CS24;
13	1000209257	Handgrip Set;L;CS17
14	1000366087	Hand Grip Set;Quickly Key;Right/Left;;CS
14	1000359164	Hand Grip Set;Quickly Key;right;;CS24;
14	1000229891	Pulse Sensor Grip Set;-;right;CS21
21	1000227265	Console Set;-;-;H001S004;U101A1;CS20;
21	1000212516	Pulley Set;-;CS17;-;
22	1000211384	Flywheel Set;CS17
23	1000217719	Idler Set;Transmission;CS17;-;
AB1	Part of console set #	Extrawork;Base Set;Console;BED;EP603
AB1	1000203619	Frame Welding Set;Frame;-;PAINTING;-;
AB12	1000229851	Frame set;-;right;CS21
AB13	1000229854	Frame set;-;left;CS21
AC1	Part of Kit 2	CONSOLE MAST;PAINTING;MATRIX SL/GY;CS17;
AG13	Part of Kit 4	HANDLEBAR;R;DI;-;CS21;
AG14	Part of Kit 3	HANDLEBAR;LU;DI;-;CS21;
AG15	1000328456	Arm Rest set;;L;painting;F75 D2 DH042;Rh
AG15	1000229865	Arm Rest set;-;L;painting;CS21;F75A2-DH0
AG16	1000328462	Arm Rest set;;R;painting;F75 D2 DH042;Rh
AG16	1000229879	Arm Rest set;-;R;painting;CS21;F75A2-DH0

AG22	88923	Bottle Holder Set;Console Mast;ABS/PA746;BL
AR1	1000212922	SPROKET SET;FRONT;CS17;
AR1	Order Kit 10	Sprocket
AR1	1000203793	Sprocket Set;Top;PAINTING;-;BL
AR10	1000380282	Connect Axle;Brake;;SUS316;CS17;
AR10	1000229122	TRANSMISSION SET;CS17;
AR2	1000212923	SPROKET SET;REAR;CS17;
AR2	1000203794	Sprocket Set;Bottom;PAINTING;-;BL\ D/C,
AR3	Part of Kit 12	TRANSMISSION SET;-;MI;CS17;
B07	1000203797	Ring;Guide Rail
B12	1000203482	Top Guide Rail;Transmission;-;SS41;ANTIRUST
B22	1000203799	Bottom Guide Rail;Transmission;-;SS41;ANTIRUST
B37	90570	SCREW;SET;M8X1.25PX20L;;;BZN;;
B38	004550-A	Screw;SH;M8X1.25PX95L;;HS;;;;
B39	004884-00	Nut;Hex;M8X1.25P
B43	004983-A	Insert Nut;Hex;NKHS-8125-2.5(M8x1.25P)
B45	004984-A	Insert Nut;Hex;NKHS-580-2.5(M5x0.8P)
B49	89835	Washer;Ribbed lock;8.5x12.8x0.8tx1.3h;
B51	005066-A	Washer;Flat;8.2x20.0x3.0T
B55	1000106666	Nut;HX;M8X1.25P;SS41;BAN;;
B56	1000351694	Spacer;Rail;;;A;
B56	1000222580	Spacer A;RAIL;SS41;BAN;CS17;
B61	1000203804	Safety plate;right;CS17
B62	1000203803	Safety plate;left;CS17
B63	85362	Screw;SH;M8X1.25PX20L;;HS;;BAN;;
B65	020101-00	Screw;Hex Socket;Round;M8x1.25Px55L;Black Zinc
B71	94929	Cap;Stabilizer;Left-Front;ABS/PA757;P804
B72	004385-00	Screw;BH;M5X0.8PX12L;;PH;;BAN;;
B73	95100	Cap;Stabilizer;Right-Front;ABS/PA757;P80
B75	000041-AA	Transport Wheel
B76	020069-00	Screw;SH;M8X1.25PX12L;HS;BP;G12.9;

B77	005042-00	Washer;Flat;8.2X30.0X2.0T;Black Zinc
B78	005220-00	Washer;Wavy;20.7x29.1x.3T
B85	005145-A	Washer;Flat;8.2x19.0x2.0T;Black Zinc
B86	004844-00	Set Screw;M6X1.0PX16.0L
B87	1000100780	Screw;Hex Socket;BH;M6x1.0Px16L;Cr Plate
B88	004933-00	Nut;Nylon;1/4'-20UNC;BED
B89	005102-00	Washer;Flat;1/4x15.0x1.0T;Black Zinc
B90	1000226844	Rubber Pad;PIB;NBR(BL);CS17;
B91	004385-00	Screw;BH;M5X0.8PX12L;;PH;;BAN;;
C07	1000211930	Ornament;TV-MOUNT;PAINTING;MATRIX/SL/
C11	004983-A	Insert Nut;Hex;NKHS-8125-2.5(M8x1.25P)
C12	1000211361	Connect BLOCK;HANDRail;-;PAINTING;-;MATR
C20	1000203749	Plastic Sleeve;Console MAST;PVC;80393
E04	1000203697	Axle, Central;S45C;CHM;PEDAL;Short;
E05	1000229018	Axle, Central;SCM440;CHM;PEDAL;Long;
E06	1000352533	Space Ring;Pedal;;POM;BL/Black C;;CS23;
E07	004071-00	Bearing;Ball;608ZZ;TPI
E08	005373-00	Clamp;E-Shaped;E-6;
E09	1000108777	Washer;Flat;M8.2x16Px1.0T
E10	1000229060	Snap Ring;X STYLE;CS17;
E20	1000203753	Pedal Step;Upper
E21	1000203754	Pedal Step;Lower
G10	1000229894	Connect Plate,Kettle Rack,ABS 746,BL/Bla
G12	1000219788	Elastomer;Hand Rail;NBR;BLACK;CS17;
G18	1000207236	Wire;HR Sensor;Left;950(TKP H6630R1-06+TKP
G19	1000212335	Wire;HR Sensor;Right;950(TKP H6630R1-06 TK
G20	Part of Kit 13	Cover;Sensor;LU;ABS/PA746;BLACK;CS17;
G21	Part of Kit 14	Cover;Sensor;RU;ABS/PA746;BLACK;CS17;
G22	Part of Kit 13	Cover;Sensor;LD;ABS/PA746;BLACK;CS17;
G23	Part of Kit 14	Cover;Sensor;RD;ABS/PA746;BLACK;CS17;
G31	1000359159	Overlay;Quick Key;Left;;;CS24; (Overlay ONLY; NO membrane)

G32	1000359165	Overlay;Quick Key;Right;;;CS24; (Overlay ONLY; NO membrane)
G33		r left hand grip se Membrane
G35		right hand grip se Membrane
G36	82875	Screw;BH;M3X0.5PX20L;;PH;;BZN;;
G37	004350-00	Screw;Phillip;BH;M3x0.5Px6L
K21	95638	Foot Pad;Adjustable;M12X58H;12.9;EP304;
N01	95125	Console Front Cover;Faceplate;ABS/PA746;DG/80435;EP60
N02	95126	Console Rear Cover;ABS/PA746;DG/80435;EP603
N03	95295	Cover;Overlay;ABS/PA746;80435;EP603
N04	1000206973	Service Cover;Console;PAINTING;MATRIX SL
N06	95323	Overlay;Manipulate;Lower;ENGLISH;EP603;
N07	1000206771	Program Keypad;19KEY;EP603
N10	1000211525	Overlay;U;ENGLISH;EP610;
N12	1000210574	Rubber;A;NBR;BLACK;EP603
N13	1000210575	Rubber;B;NBR;BLACK;EP603;
N14	1000216905	Cover;USB;PAINT;EP603;
N35	86724	Cover;Console Display;TV Rack;Printing;T
N38	1000210497	PC Spacer;205x60x1.6mm;EP605
N50	008864-A	Screw;Special;Round;2.9x1.06Px7L(Hi-Lo)
N54	004364-00	Screw;Oval Head;M5x0.8Px12L
N55	004627-00	Screw;Phillip;BH;Tapped;5x12L
N56	004336-00	Screw;RND;M3X0.5PX10L;;PH;;BZN;;
N60	004983-A	Insert Nut;Hex;NKHS-8125-2.5(M8x1.25P)
Not Shown	018141-AE	Fixing Plate;TV;Left
Not Shown	015267-AE	Fixing Plate;Right TV
Not Shown	008864-A	Screw;Special;Round;2.9x1.06Px7L(Hi-Lo)
Not Shown	004355-00	Screw;Oval;PH; M4X0.7PX10L
Not Shown	004926-00	Nut;Nylon;M8x1.25P
Not Shown	022311-A	Pin;Spring;M3X10L
Not Shown	004762-00	Screw;Hex Socket;BH;M8x1.25Px70L
Not Shown	1000228042	TV PWR EXT;900(H6630R1-04+DC 2.5x5.5

Not Shown	1000210489	NETWORK SIGNAL EXTEND WIRE;900(TKP H6630
Not Shown	1000210573	Plastic Cover;ABS/PA746;DG/80435;EP604;
Not Shown	1000232114	E-PORT EXTEND;-;-;-;200(##,3205615600+AM
Not Shown	1000227270	E-PORT Wire;-;-;-;1000;(AMP,569532);CS20
Not Shown	1000208774	TV SINGNAL EXT WIRE;900(FM-0086-NBG7x2);
Not Shown	1000227271	TV PWR EXT;-;-;-;250;(TKP,H6630R1-04+TKP,H
Not Shown	1000229037	OVERLAY SET;TV;EP604;- D/C,
Not Shown	005005-00	Washer;Spring;Lock;8.2x15.4x2.0t
Not Shown	94434	
Not Shown	89851	
Not Shown	95323	
Not Shown	1000211360	Screw;SH;M8X1.25PX20L;MT;HS;SSTSUS304;
Not Shown	004350-00	Screw;Phillip;BH;M3x0.5Px6L
Not Shown	94424	POWER CORD SET;POWER CORD+Warning Sticke
Not Shown	94425	Power Cord Set;3000;18AWG
Not Shown	86204	Power Cord;Non NEMA;15 feet; 90 DEGREE
Not Shown	1000472370	Fixing Plate;Sensor;;Zinc Plate;1.5T;;CS
Not Shown	1000472372	Sensor Set Wire;;;;;;;;;1350(K2T-4MNo(IR)+
Not Shown	061769-B	Power Cord;NEMA;15 feet; 90 DEGREE\ D/C,
Not Shown	002787-C	Power Cord;External(USA);3000,14AWG;110V(nema)
P01	1000206774	Hand Pulse Sensor Wire;250(TKP,2510A-06+
P01	1000201167	Console Cable Communication Wire;2000(MOLEX,50-70-9408x
P02	1000336916	Controller Set;Sensor;;ECB/H001;IO/H002
P03	1000206787	USB Connect Wire;A;200(JST,XAP-06V-1x2);
P04	1000206794	Wire;ECB LOAD;1650(JST,VHR-4N+TKP HL20P-
P05	1000227268	CONNECT;250(TKP,H6630R1-06 TKP,H663
P05	80701	Cable Clamp;KSS UC-04
P06	063002-A	TV Cable Wire;Down;1750L;(FM-0086-NBG7)x
P09	1000203645	E-Port Fix Plate Set;US;CS17
P09	1000209864	AC Power Socket Wire;CS17;
P10	1000207951	Fixing Plate;Fan;LCB;SPHC;WZN;CS17;

P13	1000209863	Speed Feedback Set Extended Wire;1350L(JST
P14	Part of Kit 5	BRACKET;E-PORT;SPHC 1.6T;BAN;CS17;
P16	1000203645	E-Port Fix Plate Set;US;CS17
P17	065248-A	TV Coax Adaptor;Female;F-A028-NBX7-C
P19	1000210490	Power Extend Wire;DC BRAKE,COOLING
P22	69859	Filter Board
P24	1000209865	Power Wire;190L;(KST FDFNYD1-250-1)x4;CS
P25	1000402662	Photo Interrupter Set;;;CS29;
P25	1000213860	Photo Interrupter;GP1A75E000F;CS17
P25	1000396729	Photo Interrupter Set;;;TLP1243;CS24;
P26	004319-00	Screw;Phillip;Round;M3x0.5Px6L;
P27	1000207235	Wire;PULSE CON;OTHER;BLACK;750L;TKP H66
P28	86264	Ground Wire;Console;Pulse Extended;220(5.0 OT+KST M
P29	004627-00	Screw;Phillip;BH;Tapped;5x12L
P30	93219	Jacket;PVC;A5X-03-F;US;EP79
P31	1000210491	Wire;Proximity Sensor Set;OTHER;BLACK;OT
P33	1000206779	Console Cable;250(MOLEX,50-57-9408+MOLEX,
P33	029526-A	SCREW;BH;?X3X19L;SM;PH;;;POT
P34	93508	GND Wire;Filter;200(KST FLDNY2-250kz+GE
P35	004448-00	SCREW;SH;M5X0.8PX10L;HS;BZN;G12.9;
P43	83692	Washer;TOOTH;M5.3X10X0.6;Nickel
P44	86310	Screw;BH;M5X0.8PX75L;CT;PH;;NKL;;
P45	004889-00	Nut;Hex;M5x0.8P;Nickel
P46	69904	Ferrite; Cord;FH0650B;CB32-P16A
P47	89111	Tape;Dual Sided;20x30x3t;TM501;
P48	1000228040	TV Power;1700;(SCD-554DCS103BB1G+TKP H66
P49	82734	Washer;Senated;M5.3X10X0.6;Zinc Plate
P51	1000303525	Sensor Set;;;;;1350L(KFPS,XE-SP50NE1T
P51	1000472367	Sensor Wire Set;;;with fixed plate;CS34
P52	1000309599	Fixing Plate;Sensor;;Zinc Plate;1.5T;;CS
P53	004334-00	ROUND PHILLIP SCREW M3X12L

P54	004860-00	Screw;Phillip;Large Oval Head;M4X0.7PX8L
P56	94431	Fan;Cooling;FD128025LB;DC 12V/0.1A;T7000
Q01	Part of Kit 7	SIDE COVER;L;ABS/757;TONG CHE 1475;CS17;
Q02	Part of Kit 8	SIDE COVER;R;ABS/757;TONG CHE 1475;CS17
Q05	1000309614	shield set;Frame;up;;CS23;;
Q06	1000309616	Decorate Cover;;front;ABS/PA756S;Gray/80
Q07	1000309617	Cover;;front;ABS/PA756S;Gray/80435;;CS23
Q07	1000349102	shield set;;;Service kits;CS17/CS22;;
Q07	1000203746	PLASTIC COVER;ABS/757;TONG CHE 1475;CS17
Q08	1000350050	Cover Plate;;;PP;BL/Black C;;CS24;
Q08	1000349102	shield set;;;Service kits;CS17/CS22;;
Q08	1000203747	Plastic Plate;L;ABS;BL;DECORATE;;;
Q11	1000309660	Fixing Plate;TRANSMISSION;;painting;;Fla
Q11	1000203757	Plastic Cover;Transmission
Q12	1000448890	Cover;;;ABS/PA756S;Gray/80435;ABS/PA746H
Q12	1000211385	Plastic Cover;U;MARIX Cover;80435
Q13	1000211386	Side Rail;L;;CS17;
Q14	1000209821	Side Rail;R;CS17;
Q18	1000350050	Cover Plate;;;PP;BL/Black C;;CS24;
Q18	1000349102	shield set;;;Service kits;CS17/CS22;;
Q18	1000215000	Plastic Plate;R;ABS;BL;DECORATE;;;
Q20	1000309609	Repair Cover-Extrawork;;left;Print;;CS23
Q21	1000309612	Repair Cover-Extrawork;;right;Print;;CS2
Q23	1000203821	Pin;CS17;SR-07C-N2B BL;PINGOOD;CS17
Q24	038449-A	Clip;Tapped Hole;FE;M5;YZN
Q25	1000203752	Pin Set;
Q31	1000229897	End Cap;-;left;ABS/709;BL/Black C;CS21
Q32	1000229898	End Cap;-;right;ABS/709;BL/Black C;CS21
Q41	1000309603	Fixing Bracket;U Shape;;POM+GF;BL/Black
Q43	1000309606	Fixing Plate;LOW ROW;;painting;;Black4;C
Q51	1000231078	SCREW;BH;?X5X1.6PX12L(HI-LO);PH;BZN;

Q52	004359-00	Screw;Phillip;BH;M4x0.7Px10L;Gap;
R04	1000203521	Sprocket;Transmission;;-;16T;
R05	1000203526	Pulley;Poly-V;ANTIRUST OIL;SS41J1055;RO
R06	1000203693	Axle,TRANSMISSION;S45C;NKL;Transmission
R08	Part of Kit 21	PULLEY;POLY-V;FC25;J10200;ROHS;
R12	Part of Kit 22	FLYWHEEL SET;ECB;OD 214MM;FC25;CS17;
R14	1000217581	AXLE;IDLER;S45C;WZN;CS17;
R15	020478-00	Washer;Flat;10.2x20.0x2.0T;Black Zinc
R17	005366-00	C-Clip;External;S-25
R17	008678-A	Clamp;External;C-Shaped;S-25;
R18	004990-00	Key;Round;Dual End;6X6X16L - D/C,
R20	89637	Pulley;Poly-V;;;FC25;J8198;;S70
R21	004077-A2	Ball Bearing;6004ZZ;20X42X12T;;SKF;;;
R22	1000217419	Electro Magnet;20VDC/1.2A;CS17;
R23	1000218699	Belt;Poly-V;FLEXONIC BELT;948J8;
R24	1000221250	Sealed Chain;Transmission;;40-82L 1 C/L;
R24	1000221250	Sealed Chain;Transmission;;40-82L 1 C/L;
R24	1000432542	Sealed Chain;Transmission;;40-82L 1 C/L;
R25	1000229900	CHAIN;TRANSMISSION;;-;40-24L/K(P25.4)-192
R26	1000217582	Bushing;SS41;NKL;IDLER;
R27	1000212923	SPROKET SET;REAR;CS17;
R27	1000230371	BEARING;PLB;LCP204-LLU;20(NKB);
R29	067629-00	Inner axis ferrule;12.0;12x5.5x15.75L
R30	004465-00	Screw;Hex Socket;Round;M6x1.0Px12L;;Zn-B
R31	004477-00	Screw;Hex Socket;Round;M8x1.25Px10L
R32	1000231858	WASHER;FLT;#X8.2X#X23.0X1.5T;BZN;
R33	005042-00	Washer;Flat;8.2X30.0X2.0T;Black Zinc
R34	004882-00	Nut;Hex;M5X0.8P
R35	004515-00	Screw;SH;M10X1.5PX30L;;HS;;BZN;;
R36	004469-00	SCREW;SH;M6X1.0PX6L;;HS;;;;
R36	1000350726	Supt Base;TRANSMISSION;;painting;;Flat B\ D/C,

R37	005010-00	Washer;Spring;10.75x17.2x2.16t
R39	1000206793	Fan;DC FAN;12V;0.1A;FAAN;
R40	035695-AB	Screw;BH;M4X0.7PX30L;;PH;;BAN;;
R41	1000203934	Bracket;Actuator;-;SPHC;BED;CS17;
R43	1000217580	Belt;Poly-V;FIBERGLASS;390PJ10-FG;
R44	86127	Nut;HEX;M10X1.5P;10
R45	1000354903	Brake Set;;;CS17;
R45	1000203334	DC Brake;YC803;24VDC;0.8A;10Nm;CS17;US;
R46	1000209818	Ring;SS41;WZN;-;
R47	020478-00	Washer;Flat;10.2x20.0x2.0T;Black Zinc
R48	1000226890	SCREW;SH;M5X0.8PX8L;MT;HS;G12.9;BZN;
R50	020060-00	Screw;SH;M5X0.8PX45L-20L ;;HS;;;P-T
R52	003722-00	Screw;BH;M3X0.5PX6L;;PH;;WZN;ROHS;SP
R53	003625-00	Optical Disc;105x22
R54	1000207952	Screw;SH;M5X0.8PX60L(TREAD 23L);MT;HS;G1
R56	1000215689	Bracket;Sensor;Transmission Set;SPCC;WZN
R57	005811-00	Cable Tie;Nylon;Black;160L
R58	004458-00	Screw;Hex Socket;Round;M5x0.8Px12L;BED;
R60	005354-00	C-Clip;Internal;R-42
R61	004369-AD	Screw;BH;M5X0.8PX15L;;PH;;BZN;;
R62	004924-00	Nut;Nylon;M5x0.8P;Black Zinc
R65	004677-00	Bolt;Eye Hook;1/4-20UNCX50L(25L);ZN-BL
R66	005155-A	Washer;Flat;6.2x12.0x2.0T;Black Zinc
T10	1000383493	Terminal;100;JMT,J1730BS-2(With a plasti
V11	1000229878	Warning Label;Operate;-;PVC;-;CS21
V12	1000222543	Warning Label;MAINTANCE;COATED;CS17;
V13	94371	Decal;Warning;finger;A5x-03;US;EP79
W01	1000227266	Control Board;Console;;U101A1;H001;S004;
W04	1000213752	Control Board;USB;H001;U10CA1;
W05	1000208535	Heart Rate Board Set;SALUTRON 8600;EP93C;
W05	95229	Heart Rate Receiver Board;Salutron 4600;EP603

W37	056008-A	Ground Wire;Pulse Grip;100L;(KST FDFNYD2-250-1 HSG
W75	92217	Heart Rate Power Wire;250L(2510A-03+XAP-
Z21	004483-00	Screw;Round Hex Socket;M8x1.25Px25L
Z22	1000212092	Screw;SH;M8X1.25PX35L;MT;HS;SST;-;
Z23	1000226252	Screw;SH;M8X1.25PX16L;MT;HS;SST;-;
Z24	1000221249	Washer;FLT;8.0X16.0X1.0T;SST;-;
Z25	1000226252	Screw;SH;M8X1.25PX16L;MT;HS;SST;-;
Z31	004447-AB	Screw;Hex Socket;Round;M5x0.8Px12L;Adher
Z31	70817	Screw;SH;M8X1.25PX20L;;HS;;CHM;;
Z31	1000211360	Screw;SH;M8X1.25PX20L;MT;HS;SSTSUS304;
Z32	1000221258	Washer;ARC;8.2X19.0X1.5T;SST;